



**GENERAL STORAGE SYSTEMS**

2995 PAGE STREET, LONDON  
 ONTARIO, CANADA, N5V 4P6  
 PHONE: (519) 453-5910  
 FAX: (519) 455-0037

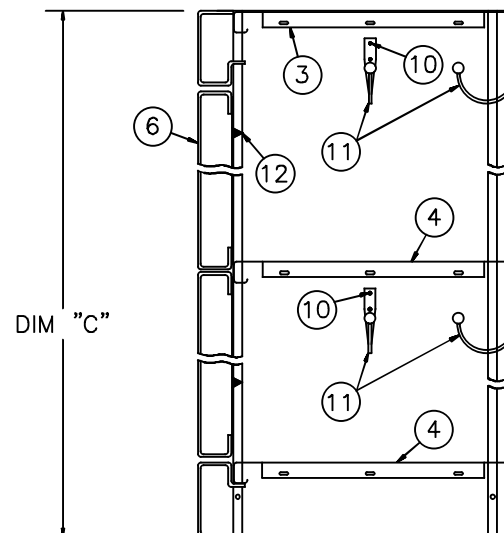
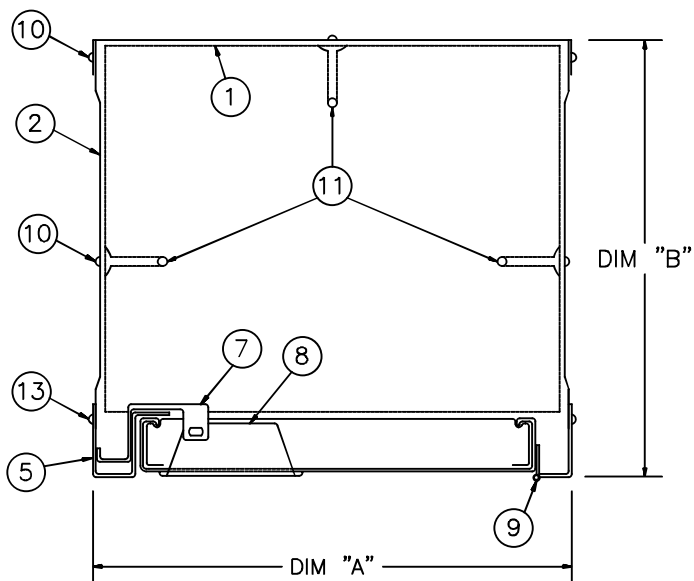
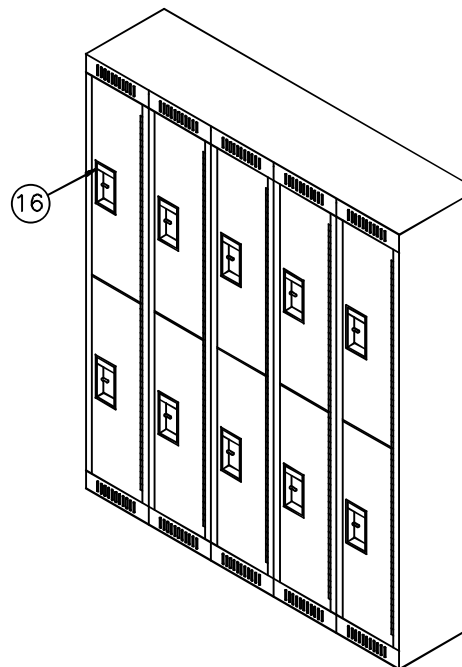
**EXCALIBUR FLUSH DOOR LOCKER PARTS**

NO.	DESCRIPTION	GAUGE
1	BACK PANEL	16
2	SIDE PANEL (REVERSIBLE)	16
3	TOP SHELF	16
4	INTERMEDIATE & BOTTOM SHELF	16 GALVANNEAL
5	DOOR STRIKE FRAME	16
6	DOOR (LINER 20 GAUGE)	14
7	HASP	12
8	STAINLESS STEEL POCKET	
9	CONTINUOUS HINGE & FRAME	16
10	RIVET	
11	COAT HOOK	
12	DOOR BUMPER - 2 PER DOOR	
13	#8 x 5/8" BOLT & NUT	
14		
15		
16	NUMBER PLATE & DOOR PULL	

**EXTRA & SPECIAL PARTS**

27  
28

DIM "A"      DIM "B"      DIM "C"



PROJECT:

STYLE:  
*TYPICAL DOUBLE TIER  
 EXCALIBUR LOCKER*

CUSTOMER:

QUOTE NO:

ARCH/ENG/CONT:

REVISION NO:

DATE: OCTOBER 8, 2015

SCALE: NOT TO SCALE

DESIGNED BY:

APPROVED BY:

DRAWN BY:

DRAWING No:

SHEET 1 OF 1

DIMENSIONS MUST NOT BE SCALED,  
 ALL MEASUREMENTS MUST BE  
 CHECKED AND VERIFIED AND ALL  
 ERRORS SHALL BE REPORTED TO GSS  
 PRIOR TO PROCEEDING WITH JOB.

ALL PRINTS OF SPECIFICATIONS AND  
 PLANS ARE THE PROPERTY OF  
 GENERAL STORAGE SYSTEMS MFG LTD  
 AND NOT TO BE COPIED OR USED  
 WITHOUT WRITTEN PERMISSION.