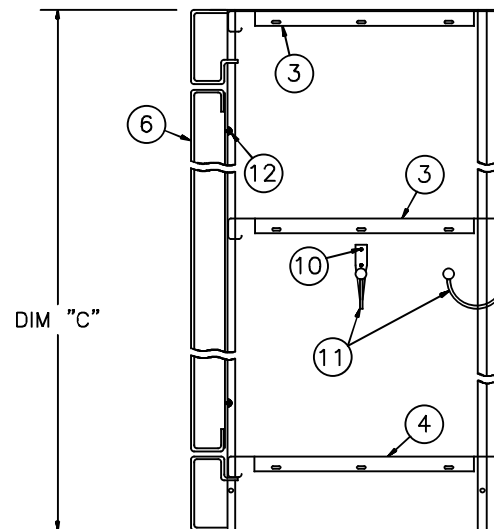
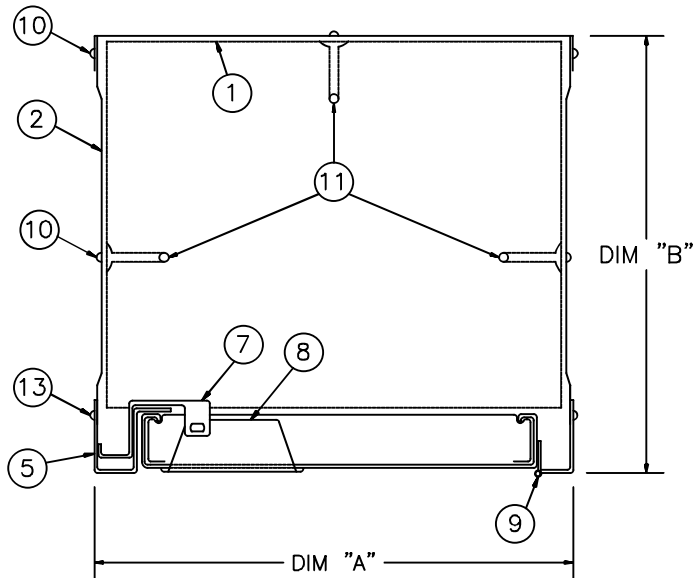
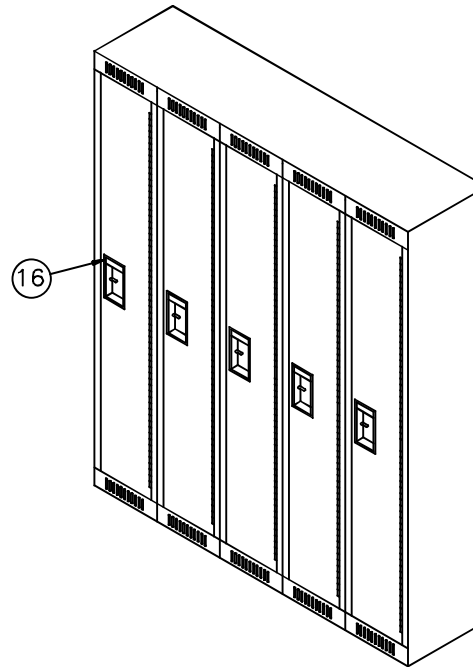


EXCALIBUR FLUSH DOOR LOCKER PARTS

NO.	DESCRIPTION	GAUGE
1	BACK PANEL	16
2	SIDE PANEL (REVERSIBLE)	16
3	TOP & HAT SHELF	16
4	BOTTOM SHELF	16 GALVANNEAL
5	DOOR STRIKE FRAME	16
6	DOOR (LINER 20 GAUGE)	14
7	HASP	12
8	STAINLESS STEEL POCKET	
9	CONTINUOUS HINGE & FRAME	16
10	RIVET	
11	COAT HOOK	
12	DOOR BUMPER - 2 PER DOOR	
13	#8 x 5/8" BOLT & NUT	
14		
15		
16	NUMBER PLATE & DOOR PULL	
EXTRA & SPECIAL PARTS		
27		
28		
DIM "A"	DIM "B"	DIM "C"



GENERAL STORAGE SYSTEMS

2995 PAGE STREET, LONDON
 ONTARIO, CANADA, N5V 4P6
 PHONE: (519) 453-5910
 FAX: (519) 455-0037

PROJECT:

STYLE:
 TYPICAL SINGLE TIER
 EXCALIBUR LOCKER

CUSTOMER:

QUOTE NO:

ARCH/ENG/CONT:

REVISION NO:

DATE: OCTOBER 8, 2015

SCALE: NOT TO SCALE

DESIGNED BY:

APPROVED BY:

DRAWN BY:

DRAWING No:

SHEET 1 OF 1

DIMENSIONS MUST NOT BE SCALED,
 ALL MEASUREMENTS MUST BE
 CHECKED AND VERIFIED AND ALL
 ERRORS SHALL BE REPORTED TO GSS
 PRIOR TO PROCEEDING WITH JOB.

ALL PRINTS OF SPECIFICATIONS AND
 PLANS ARE THE PROPERTY OF
 GENERAL STORAGE SYSTEMS MFG LTD
 AND NOT TO BE COPIED OR USED
 WITHOUT WRITTEN PERMISSION.